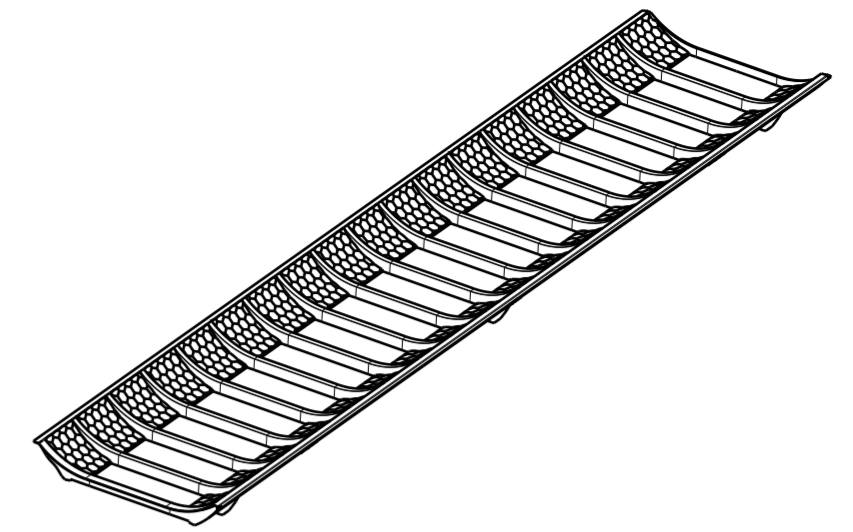
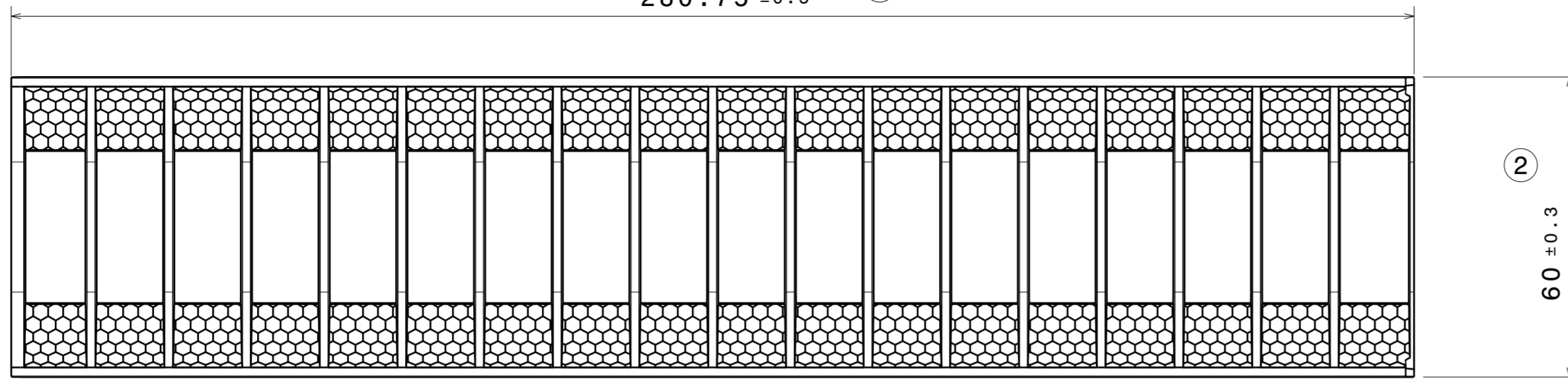


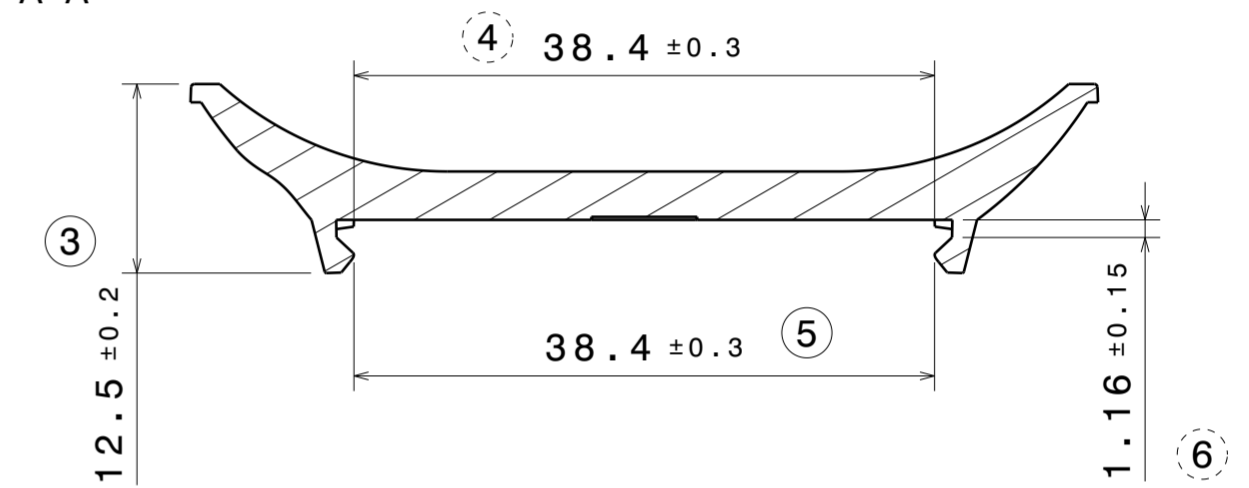
280.75 ±0.5 (1)

(2) 60 ±0.3

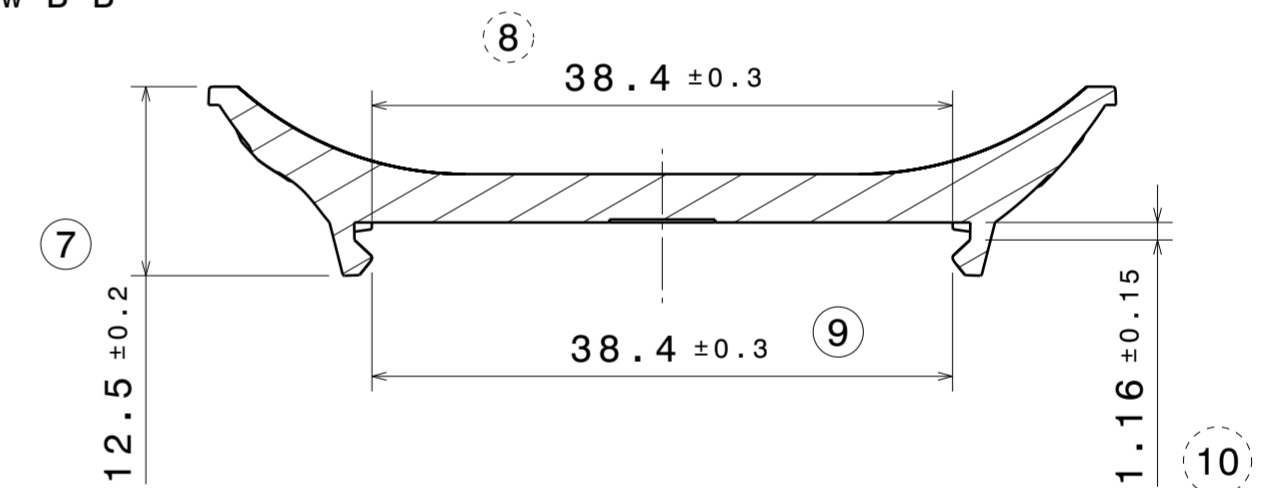
Top View
Scale: 1:1



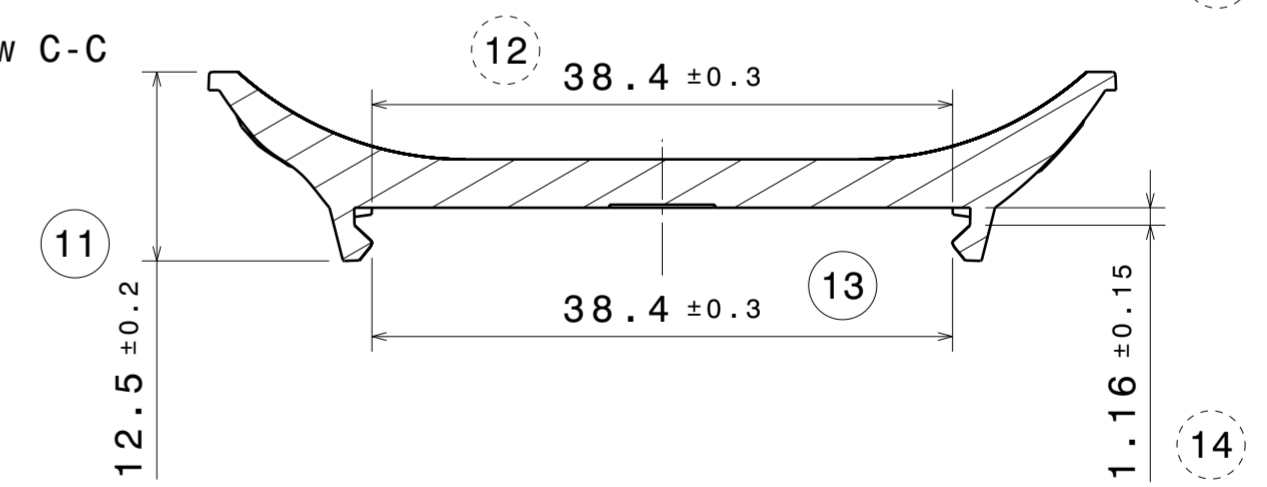
Section view A-A
Scale: 2:1



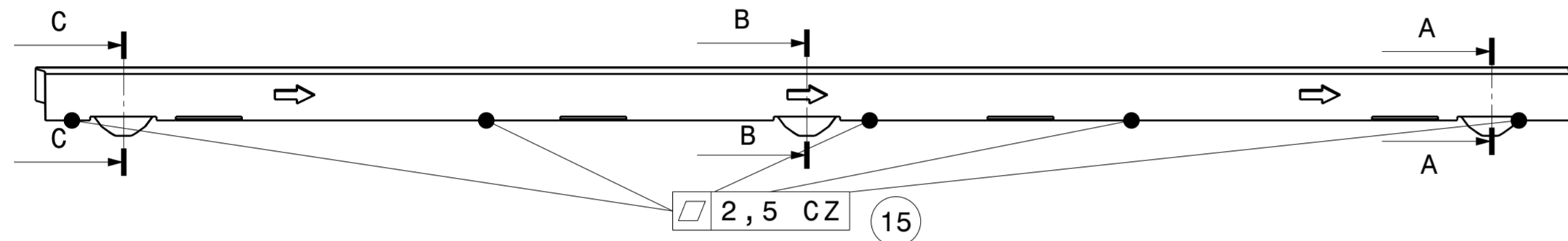
Section view B-B
Scale: 2:1



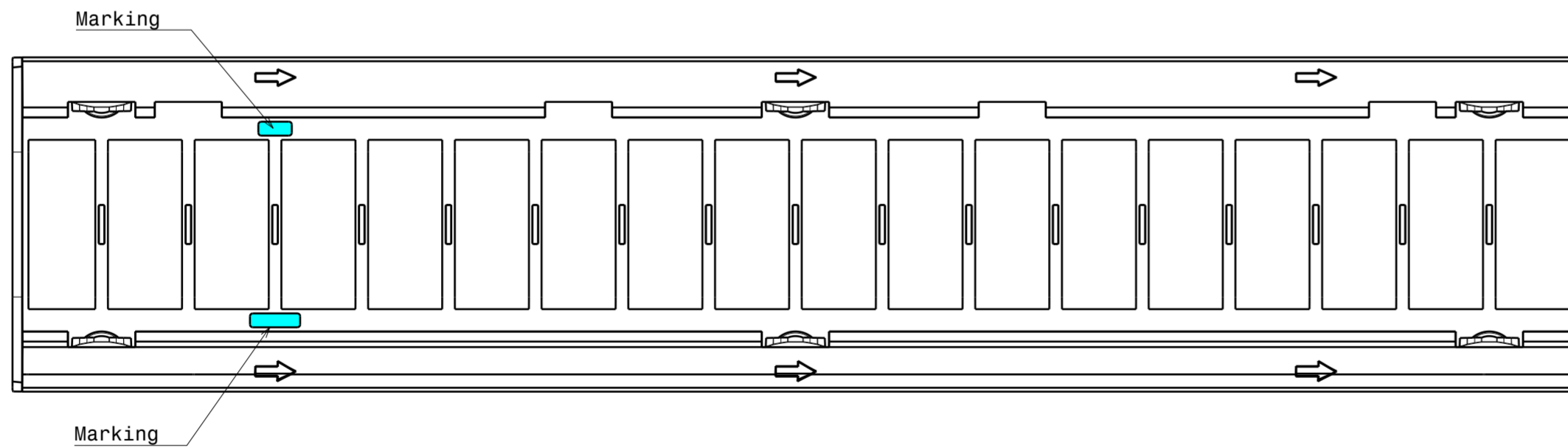
Section view C-C
Scale: 2:1



Allowed bending direction



Bottom View
Scale: 1:1



Notes

- PCB or heatsink level.
- LED location
- Ensure LED fitting from a product specific 3D model available from www.ledil.com
- For more details about installation please see LEDiL Installation Guide on www.ledil.com

PART		MATERIAL	COLOR / COATING
L20366_LIANNA-2R-SHD-WHT-L1_MechanicalModel		PC	white
MECHANICAL DRAWING			
PRODUCT		LIANNA	
Plastic moulding general tolerances according to DIN 16901-130 and applies if not otherwise shown in the drawing. Silicone moulding general tolerances according to ISO 3302-1 Class M3 and applies if not otherwise shown in the drawing.		FIRST ANGLE PROJECTION:	This drawing is the property of LEDiL Oy. It may not be copied or otherwise distributed without prior written permission from LEDiL Oy.
SCALE	1:1	WEIGHT 27 g (16)	A2 SHEET 1/1

